

2CDC 071 025 S0010

Security Terminal MT/S 8.12.2M is a modular installation device (MDRC) in ProM design. It is intended for installation in the distribution board on 35 mm mounting rails and is used as the interface between security technology sensors and KNX. The device features 8 inputs, so-called zones. They are used for monitoring connected passive detectors, e.g. magnetic contacts and/or glass break sensors on the ABB i-bus® KNX and/or for connection of floating contacts in applications with enhanced security requirements.

The device can be used as a system with autonomous alarm logic or in combination with the Security Module or an Intrusion Alarm Panel with KNX interface.

A 12 V DC SELV auxiliary voltage supply is required, e.g. NTU/S 12.2000.1.

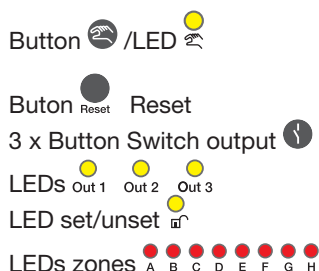
Typical applications include the monitoring of door and window opening, the detection of glass breaks as well as monitoring of rooms using motion detectors.

Technical Data

Supply	Bus voltage	21...30 V DC via KNX
	Current consumption KNX	< 6 mA
	Auxiliary power supply required	12 V DC ± 1.6 V SELV, Ripple ≤ 1.0 V _{pp}
	Auxiliary voltage current consumption	Min. 13 mA and max. 43 mA (without external loads)
Inputs	Number	8
	No-load voltage	12 V DC
	Short-circuit current	Maximum 6 mA
	Permissible cable resistance	Maximum 200 Ω
	Primary line (detector circuits)	End of line resistor: 2.7 kΩ
	Setting/Unsetting input	Resistor combination (2,7 kΩ + 560 Ω in series)
Outputs	Number	3
	Short-circuit current	Maximum 0.6 A
	Type	Monostable relay
	Output 1: Nominal voltage U _n floating	12...24 V DC
Output 2 and 3: Rated voltage U _n	12 V DC (internal jumper)	
Connections	KNX	Bus connection terminal (black/red)
	Auxiliary voltage	Via screw terminals (0 V/12 V)
	Inputs	Via screw terminals (0 V/+)
	Outputs	Via screw terminals (outputs 2 and 3, common 0 V connection via auxiliary voltage)
Bus connection terminals	Screw terminals	0.2...2.5 mm ² stranded 0.2...2.5 mm ² solid Multiple conductor connection capacity 0.25...0.75 mm ² (equal cross-sections) 0.25...1.5 mm ² (with ferrules)
	Tightening torque	Maximum 0.6 Nm

Operating and display elements

Programming button/LED



For assignment of the physical address
For switchover between manual operation and KNX operation
For manual reset
For switching and display

Display of set/unset
Display of triggered zones, alarm memory

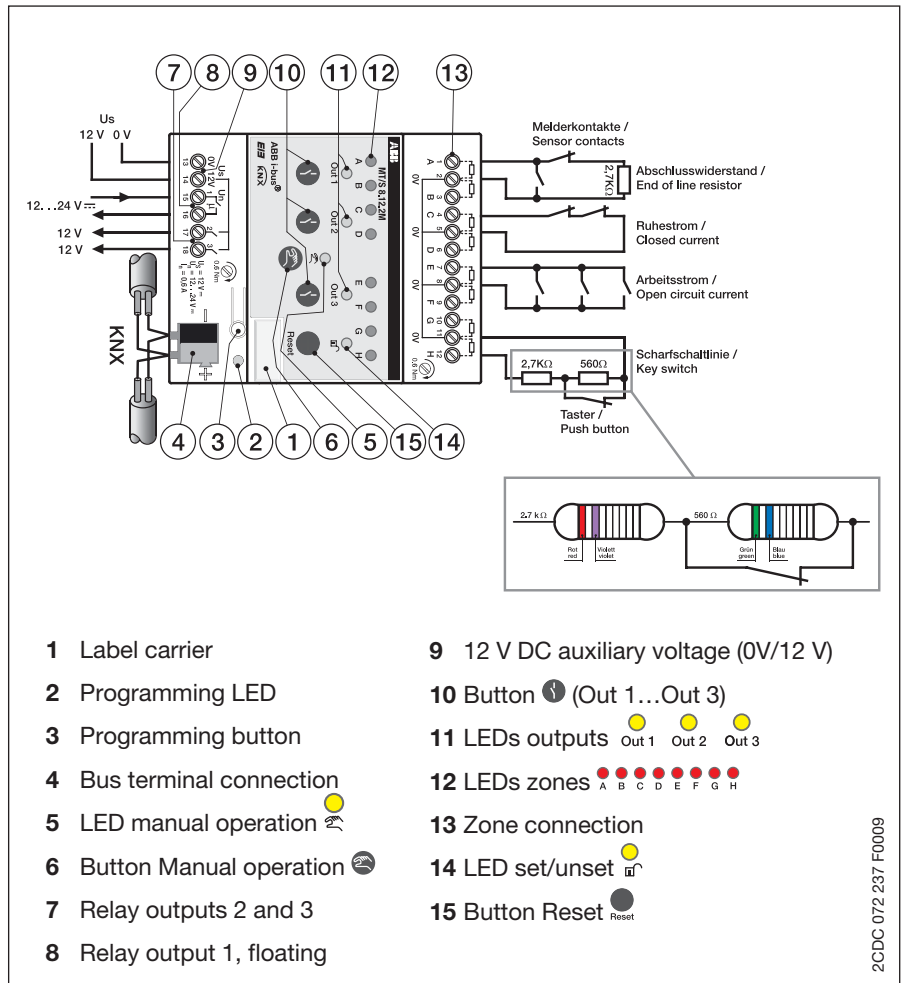
Enclosure	IP 20	To EN 60529
Safety class	II	To EN 61140
Isolation category	Overvoltage category Pollution degree	III to DIN EN 60664-1 2 to DIN EN 60664-1
Temperature range	Operation Transport Storage	-5 °C...+45 °C -25 °C...+70 °C -25 °C...+55 °C
Ambient conditions	Maximum air humidity	93 %, no condensation allowed
Design	Modular installation device (MDRC) Dimensions Mounting width in space units Mounting depth	Modular installation device, ProM 90 x 72 x 67.5 mm (H x W x D) 4 modules at 18 mm 67.5 mm
Installation	On 35 mm mounting rail	To EN 60 715
Mounting position	As required	
Weight	0.15 kg	
Housing, colour	Plastic, halogen free, grey	
Approvals	KNX to EN 50 090-1, -2	
CE mark	In accordance with the EMC guideline and low voltage guideline	

Application program	Maximum number of communication objects	Maximum number of group addresses	Maximum number of associations
Monitor Report Display 8f/1.0	63	254	255

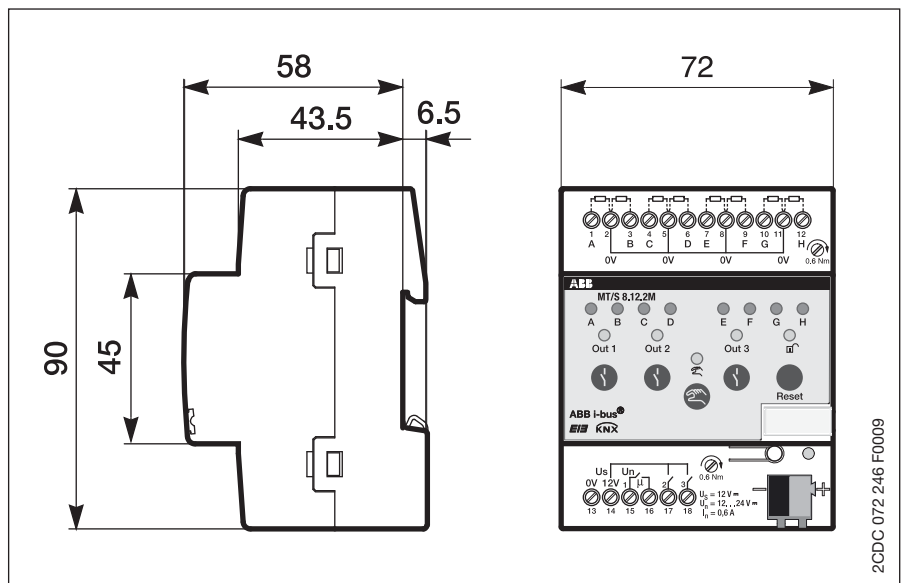
Note

Detailed information about the application can be found in the product Manual for the „Security Terminals MT/U 2.12.2, MT/S 4.12.2M and 8.12.2M“. This manual can be free downloaded under www.ABB.de/KNX.
The programming requires EIB Software Tool ETS2 V1.3a or higher.
If ETS3 is used, a *.VD3 or higher type file must be imported. The application program is available in the ETS2 / ETS3 at ABB / Security and Surveillance / Security Terminals.
The device does not support the closing function of a project or the KNX device in the ETS. If you inhibit access to all devices of the project with a *BCU code* (ETS3), it has no effect on this device. Data can still be read and programmed.

Connection schematic



Dimension drawing



Notes

