

8 7 6 5 4 3 2 1

D

D

C

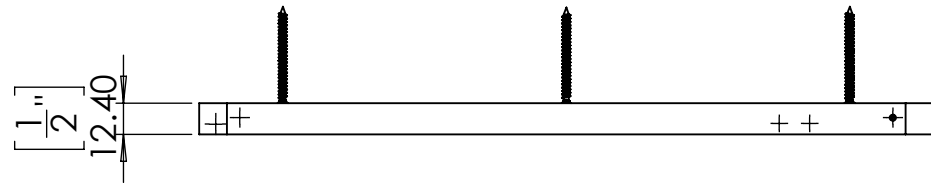
C

B

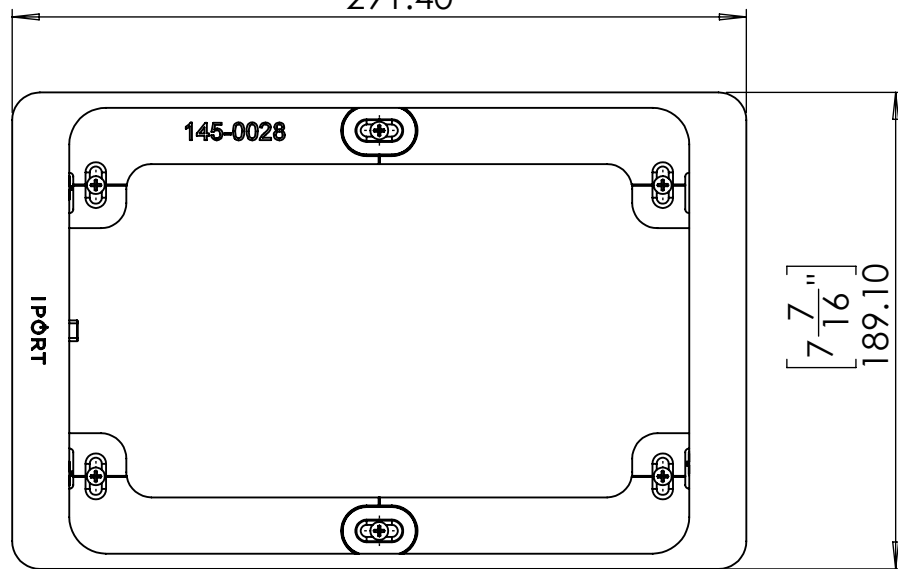
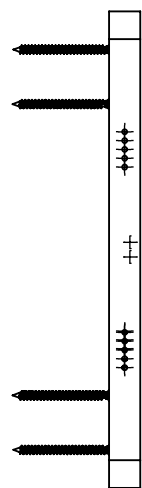
B

A

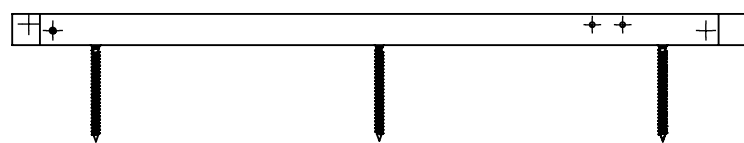
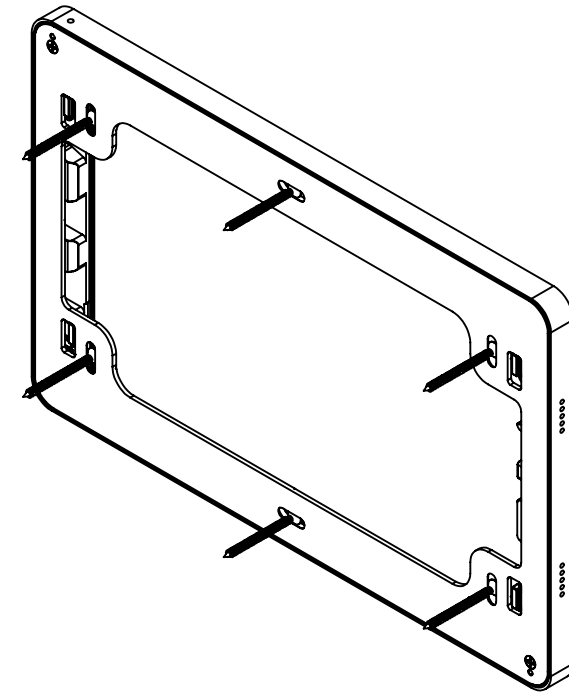
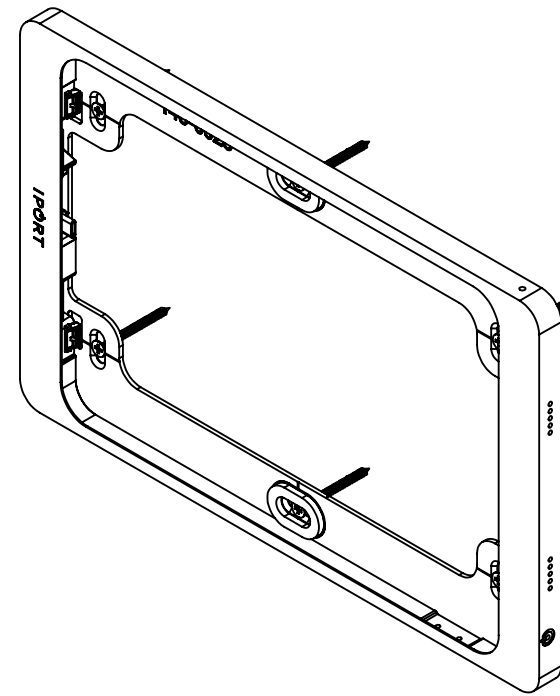
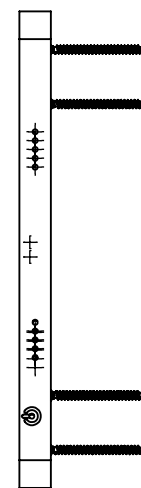
A



$11 \frac{1}{2}$ "
291.40



$7 \frac{7}{16}$ "
189.10



UNLESS OTHERWISE SPECIFIED: DIMENSIONS ARE IN INCHES [MM] TOLERANCES: FRACTIONAL ± ANGULAR ± TWO PLACE DECIMAL ± THREE PLACE DECIMAL ± INTERPRET GEOMETRIC TOLERANCING PER: MATERIAL: FINISH: DO NOT SCALE DRAWING	DRAWN CHECKED ENG. APP. Alex Bertagni 26 Mar 20 MFG. APP. Alex Bertagni 26 Mar 20 Q.A. APP.	NAME DATE	DANA INNOVATIONS	
	COMMENTS:			TITLE: 70810 / 70811 SM SYSTEM IPAD 10th GEN
	RELEASED ON:	SCALE: 1:3	WT:	SHEET 1 OF 1
	PROPRIETARY AND CONFIDENTIAL THE INFORMATION CONTAINED IN THIS DRAWING IS THE SOLE PROPERTY OF DANA INNOVATIONS. ANY REPRODUCTION IN PART OR AS A WHOLE WITHOUT THE WRITTEN PERMISSION OF DANA INNOVATIONS IS PROHIBITED.	SIZE B	DWG. NO.	REV A
	TITLE: 70810 / 70811 SM SYSTEM IPAD 10th GEN			

8 7 6 5 4 3 2 1