

# I PORT CONNECT

## DOCK



72307 - CONNECT DOCK

# I PORT CONNECT

## DOCK

## I PORT CONNECT DOCK Install Manual

Thank you for purchasing the all new IPORT CONNECT Platform. We hope you enjoy this revolutionary new system and if at any time you need more assistance please contact IPORT Tech Support via Online chat or through our help desk.

- IPORT Team

### Whats in box:

- 1 - IPORT CONNECT DOCK
- 1 - IPORT POWER SUPPLY
- 1 - Info Card

### POWER SPECS

INPUT: 110-240V | AC 50/60 Hz  
CRADLE OUTPUT 1: 5V 3A, PD 9V 3A  
CRADLE OUTPUT 2: 5V 1.5A

(Output 2 is for electronic accessories and requires a CONNECT PRO Case with accessories installed)

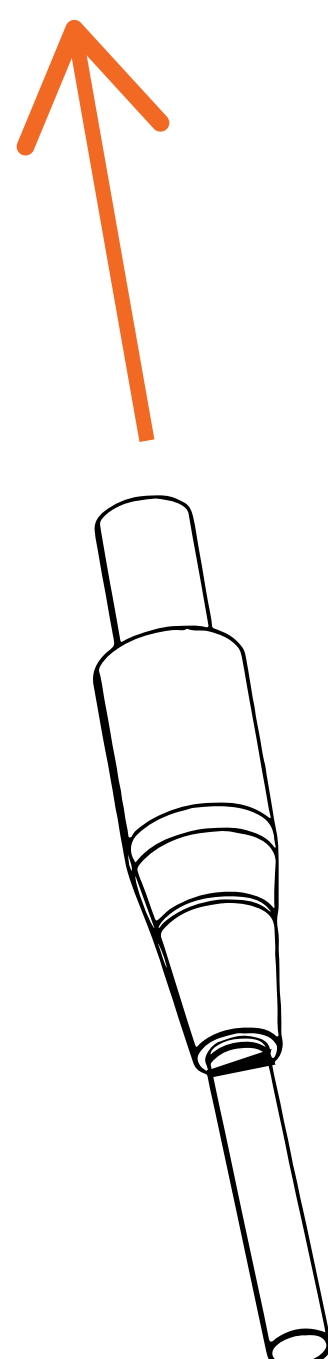
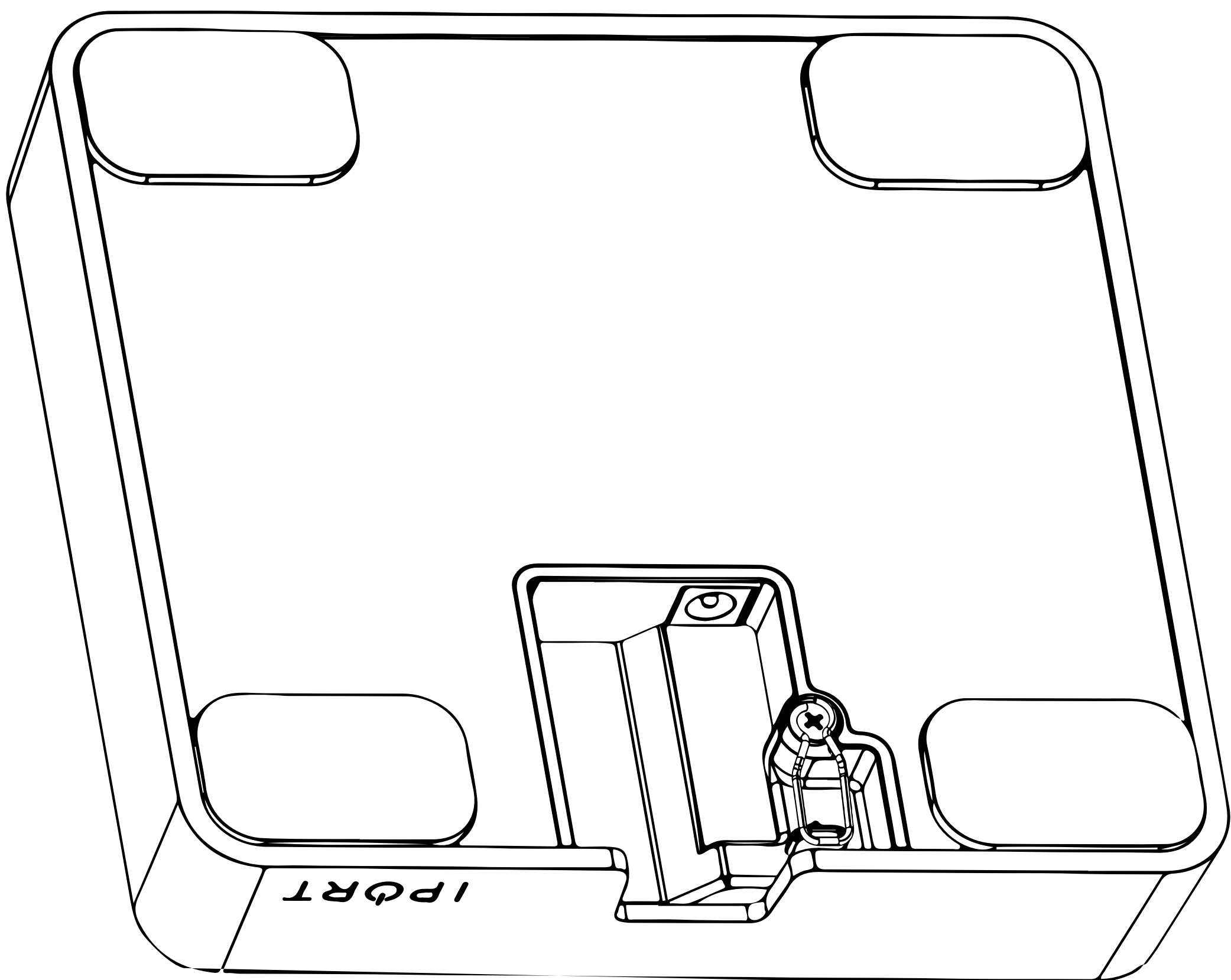


FCC PART 15B CLASS B  
AS/NZS 60950  
AS/NZS CISPR22  
EN 55032:2015+A11:2020  
BS EN 55035:2017+A11:2020

# I PORT CONNECT

## DOCK

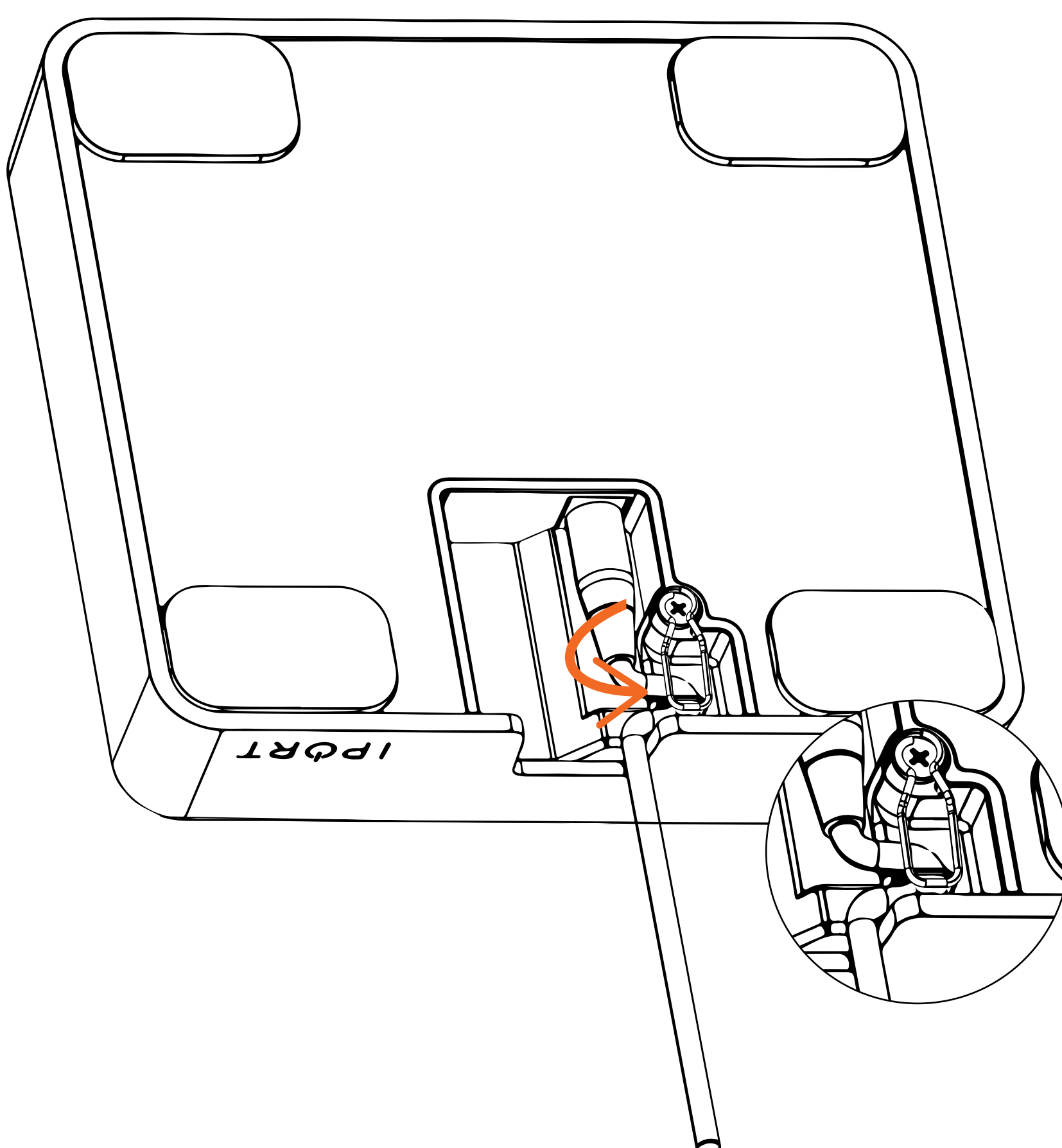
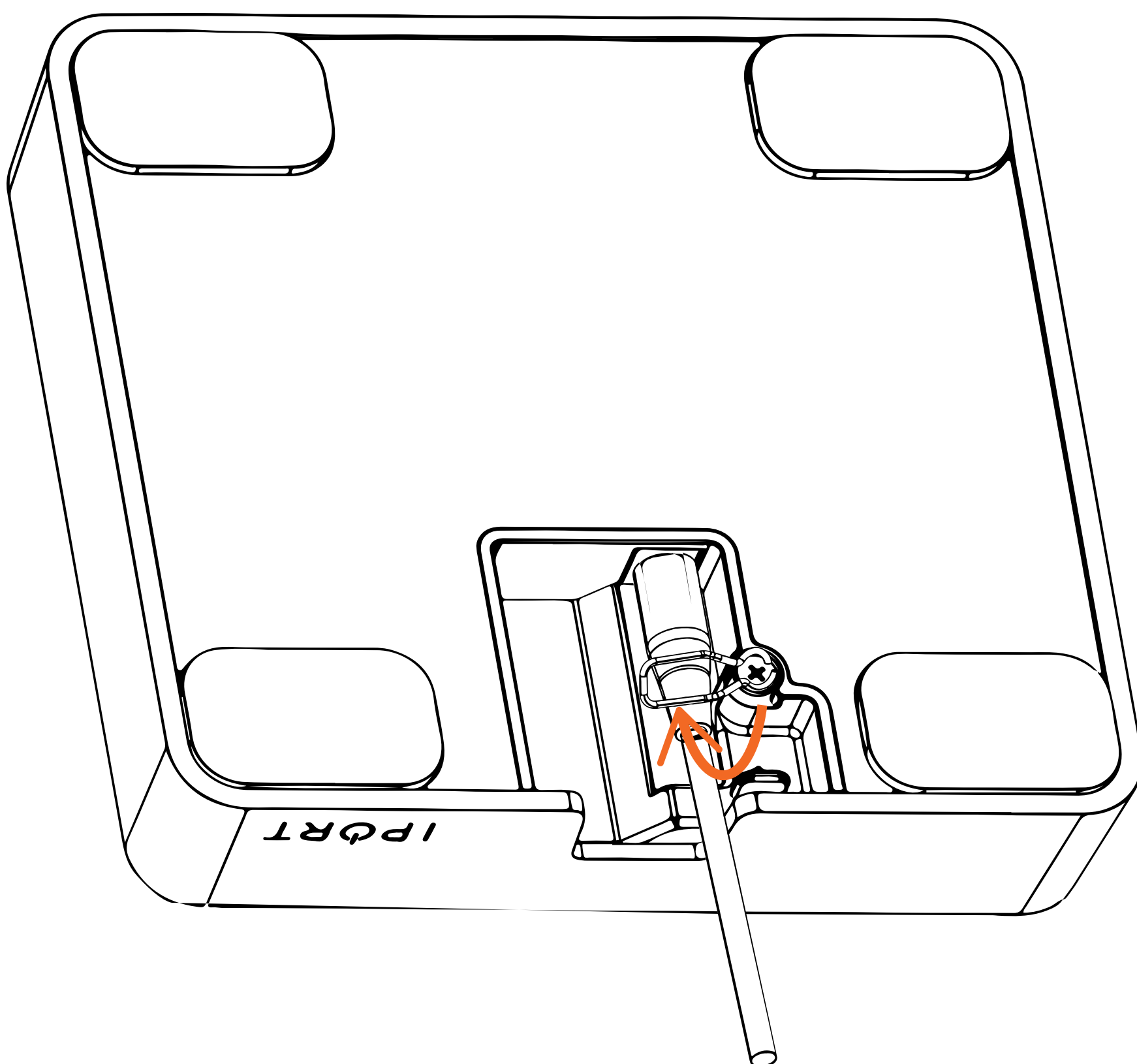
- 1. Remove DOCK and Power Supply from the box and place on a table.**
- 2. Insert the barrel connecto into the bottom side of the dock.**



# I PORT CONNECT

## DOCK

- 3. Rotate the wire retention clip towards the front of the dock. Run the wire around the retention post and rotate the clip back into place.**



# I PORT CONNECT

## DOCK

**4. Place the CONNECT Dock in the desired location. Plug in the power adapter into AC power and place IPORT CONNECT Case onto a Dock to initiate charging.**

