

Time-saving  
APEX File  
included



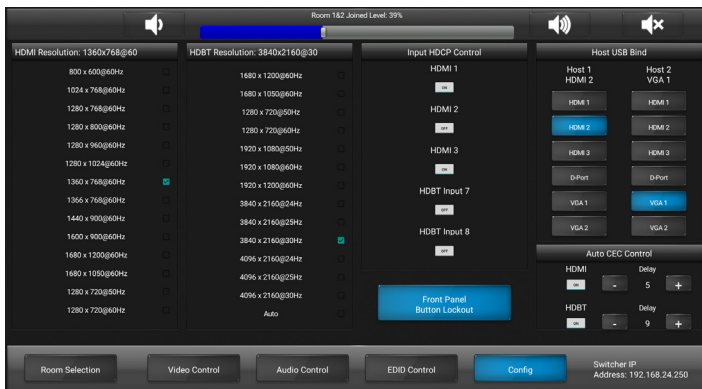
Front View



Rear View



VXP-R and VXP-T  
HDBaseT Extenders  
(Sold Separately)



User Interface of included APEX file

## VXP-82

### 8x2 All-in-One Control Processor & AV Presentation Switcher

The VXP-82 combines a full-fledged control processor with a built-in Audio/Video presentation switcher to deliver a single-box solution for conference rooms, classrooms, and lecture halls. VXP-82 enables control from any RTI touch panels, keypads, remote controls, or mobile apps, while the 8x2 switcher distributes Audio/Video signals over HDMI and HDBaseT simultaneously to up to two rooms. Existing in-room USB web conferencing cameras, microphones and speakers can be connected and switched as well as traditional analog or digital audio and video sources such as computers / laptops, document cameras, media servers and streamers, DVD players, and microphones. Thus, the VXP-82 is ideal for BYOD settings and social distancing office configurations. KVM control over USB allows for multiple presentation control options using USB keyboards and mice in different spots in the same or secondary room. Additional features include a 4K video scaler and an audio mixer.

**The included APEX file significantly reduces on-site configuration while the single box solution reduces cabling and installation time.**

## Key Features

- 8x2 4K All-in-One Scaling Presentation Matrix Switcher.
- Support for HDCP 2.2 and HDMI 2.0.
- Built-in scaler supports up to 4K@60Hz 4:4:4 8bit video output.
- HDBaseT inputs/output using VXP-R/VXP-T Extenders:  
Cat-5 cable: 4K@60Hz 4:2:0 8bit signal up to 90m/300ft, 1080p@60Hz 4:4:4 8bit signal up to 100m/330ft  
Cat-6/6a/7 cable: 4K@60Hz 4:2:0 8bit signal up to 100m/330ft, 1080p@60Hz 4:4:4 8bit signal up to 100m/330ft.
- VXP-R/VXP-T HDBaseT Extenders support PoH (Power over HDBaseT) in addition to Ethernet, IR and RS-232 pass-through.\*
- Bi-directional KVM functionality for HDMI or HDBaseT outputs - Ideal for presentation settings.\*
- Supports de-embedded audio of HDMI and HDBaseT outputs, set independently to output any mixed result.
- Control via front panel, built-in processor, and Web UI.
- Built-in control processor with 128Mb of non-volatile flash memory.
- Control of external devices via six routable IR ports, two RS-232 ports, three relays, three voltage triggers, and three voltage sense inputs.
- Support for RTI wired and wireless controllers (remote controls require RTI RM-433 433MHz or ZM-24 2.4GHz Zigbee antennas).
- Support for RTI Panel App control.
- Flexible installation options with tabletop or rack-mount design.

\* NOTE: Support for PoH, IR/RS-232/Ethernet pass-through and KVM functionality over HDBaseT require VXP-R and VXP-T Extenders.

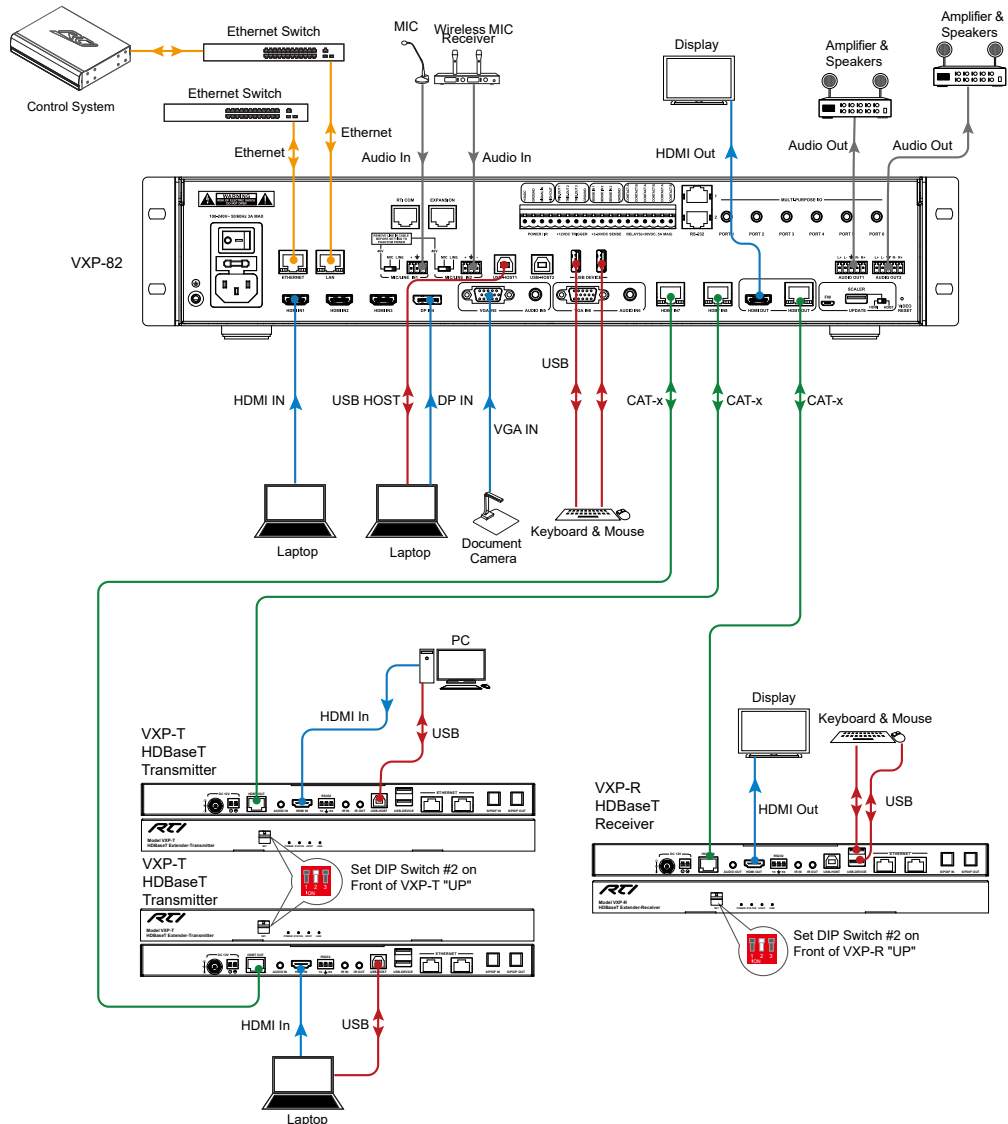
# Specifications

AC Input Voltage .....	110VAC ~ 240VAC, 50-60Hz
Mounting.....	Rack mount, 2 RU or free standing
Video Input .....	Three, HDMI
.....	One, Display Port
.....	Two, VGA (female 15-pin)
.....	Two HDBaseT (PoH) (RJ45)
Video Output.....	One, HDMI
.....	One, HDBaseT (RJ45)
Resolution Range.....	800x600@60Hz to 4Kx2K@60Hz
HDBaseT Transmission Distance .....	1080p@60Hz ≤ 100m
.....	4Kx2K@60Hz ≤ 90m
EDID Management.....	Built in EDID data and manual EDID management
HDCP .....	Supports up to HDCP 2.2
Audio Input .....	Two, Mono analog
.....	Two, 3-pole 3.5mm, Mic/line level
Audio Output.....	Two, Stereo de-embedded
Phantom Power .....	Enable/Disable per channel
Analog Line Output with DSP.....	2-Channel stereo
Frequency Response.....	20Hz to 20kHz ≤ 3 db
Infrared Output .....	Six, 3.5mm
.....	One, High output

Infrared Frequency Transmission Range .....	15kHz - 460kHz
Trigger Outputs .....	Three, 12 VDC, 100mA max each
Relays.....	Three, 5 Amps @ 30 VDC
Sense Inputs.....	Three, 3-24 VDC
RS232 Ports .....	Two, Bidirectional control (RJ45)
Expansion Port .....	One, RJ45 Connection
RTICOM Port .....	One, Zigbee®, RJ45 Connection
Ethernet Port .....	One, 10/100BaseT, RJ45 - Ethernet Pass-through
LAN Port .....	One, 10/100BaseT, RJ45 - WebGui access
USB Ports .....	USB-A: One - scaler upgrade, Two - USB devices (KVM)
.....	Micro-USB: One, Firmware update
.....	USB-B: Two, Host inputs
Operating Temperature.....	C 0 to +50 degrees F +32 to +122 degrees
Operating Humidity.....	0% to 90% Non-condensing
Dimensions WxHxD.....	17.32in (440mm) x 3.5in (89mm) x 13in (330mm)
Weight .....	14 lbs (6.35kg)
Warranty .....	Three Years (Parts & Labor)

\* NOTE: Support for PoH, IR/RS-232/Ethernet pass-through and KVM functionality over HDBaseT require VXP-R and VXP-T Extenders.

All features and specifications subject to change without notice.



**Remote Technologies Incorporated**  
 5775 12th Avenue East, Suite 180, Shakopee, MN 55379  
 PH: (952) 253-3100 • Website: www.rticorp.com

