

EN54 ECONOMY CEILING SPEAKER

- 6W 100V LOUDSPEAKER
- SIZE 5" (130MM)
- QUICK MOUNT
- SHOCK-RESISTANT HOUSING
- HIGH EFFICIENCY
- EXCELLENT SOUND QUALITY
- FULLY CERTIFIED TO EN54-24



OVERVIEW

The SPCF-E-06W-50-EN54 is a 6W 100V flush mount ceiling loudspeaker, which has a 5" (130mm) full-range chassis providing excellent sound quality with speech and background music, and which is certified to EN54-24. The speaker is fitted with a 100V transformer which has three power adjustment tapings of 6W, 3W, and 1.5W.

The SPCF-E-06W-50-EN54 has a powder coated metal chassis and grille, with the high quality powder coated finish giving good long-term protection and resistance to corrosion. A protective plastic dome covers the rear of the loudspeaker, and prevents dirt, dust and other debris or foreign objects from contacting the cone or any other part of the loudspeaker rear. As standard the speaker is coloured to match RAL9016 'Traffic White', however the speakers can be supplied in any four-digit RAL or NCS colour, as a special order. The speaker's enclosure is ingress protection rated to IP21C.

Quick and easy ceiling mounting is provided through the use of spring clamps, with a possible ceiling thickness of between 3mm and 45mm. The flat construction method allows a low mounting depth of only 70mm.

Please note that although very thin ceilings can be used as a mounting surface, it should be ensured that the ceiling thickness and strength are appropriate to the weight of the speaker, and to the thickness and weight of the 100V line cable.

The loudspeaker is optionally available with a DC blocking capacitor fitted, in order to provide compatibility with DC loudspeaker line monitoring systems. The part number for this DC monitoring compatible version is SPCF-E-06W-50-EN54-DC. There is also a Fire Dome available for this loudspeaker as an accessory, part number SPAC-FD-E-50.

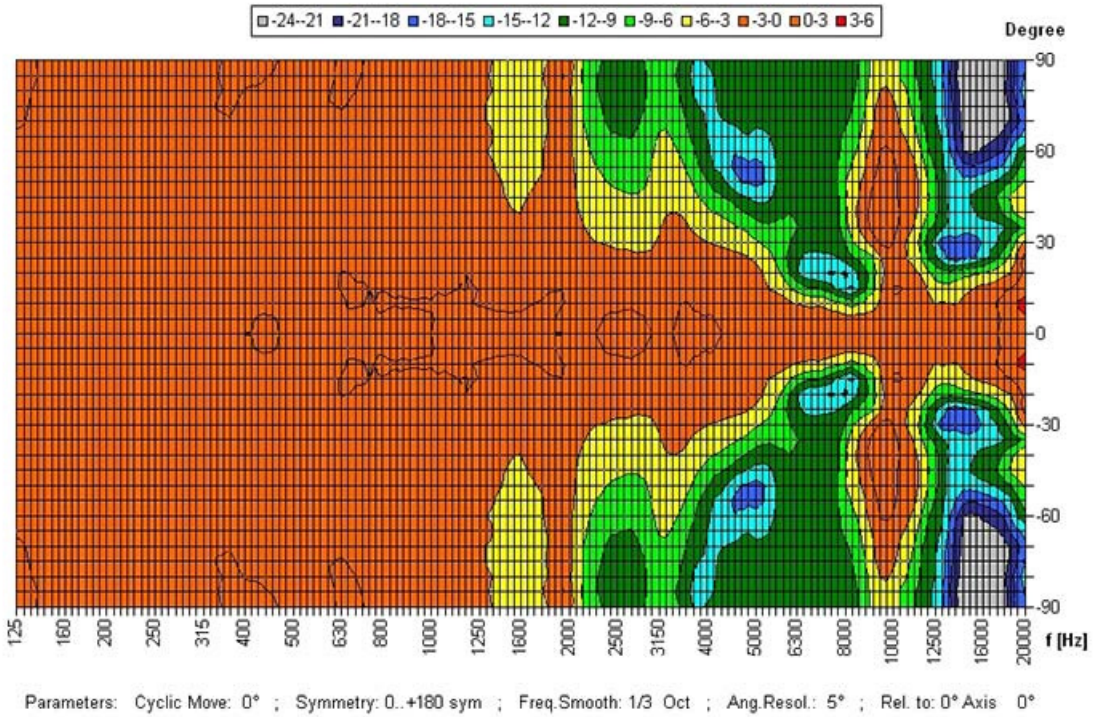
Note that this loudspeaker is certified to EN54-24, it is not compliant with BS5839-8 without the optional fire dome accessory.

EASE data is available for this speaker on request.

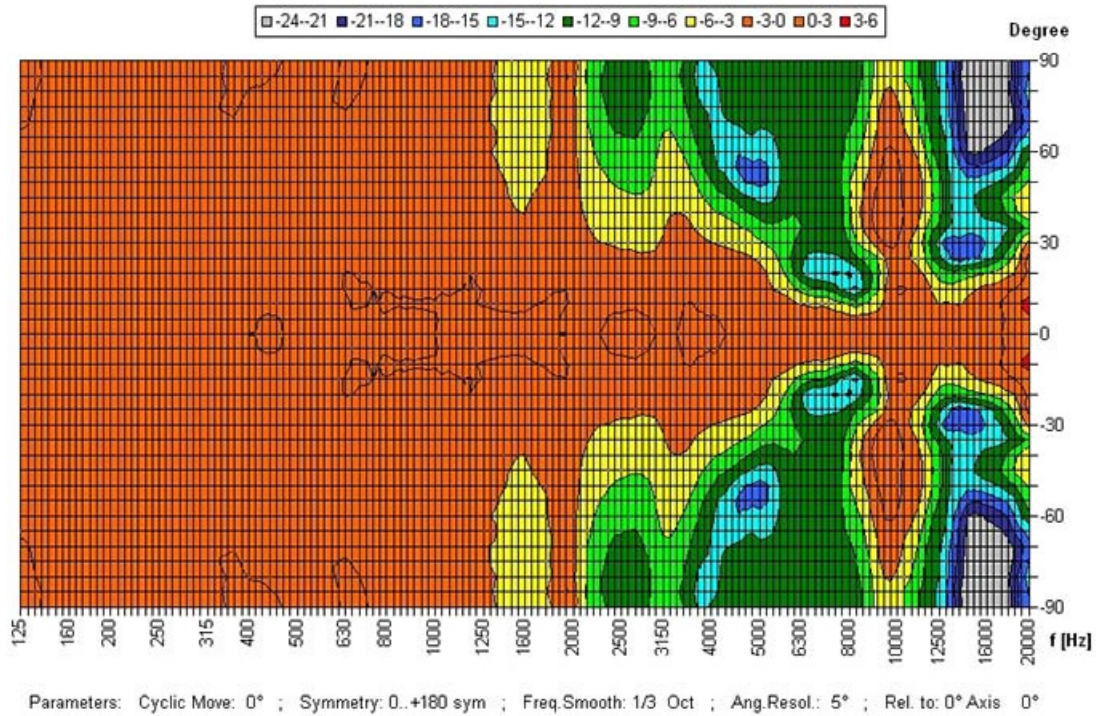
PRODUCT ATTRIBUTES

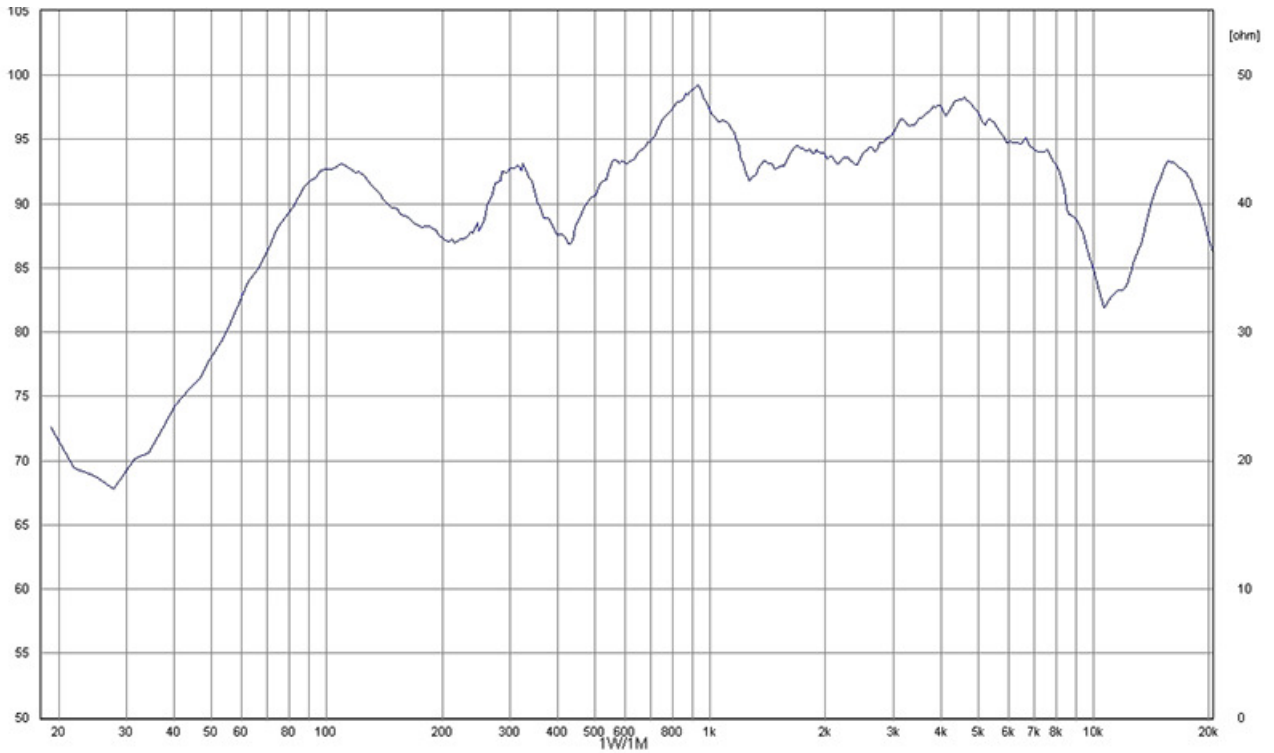
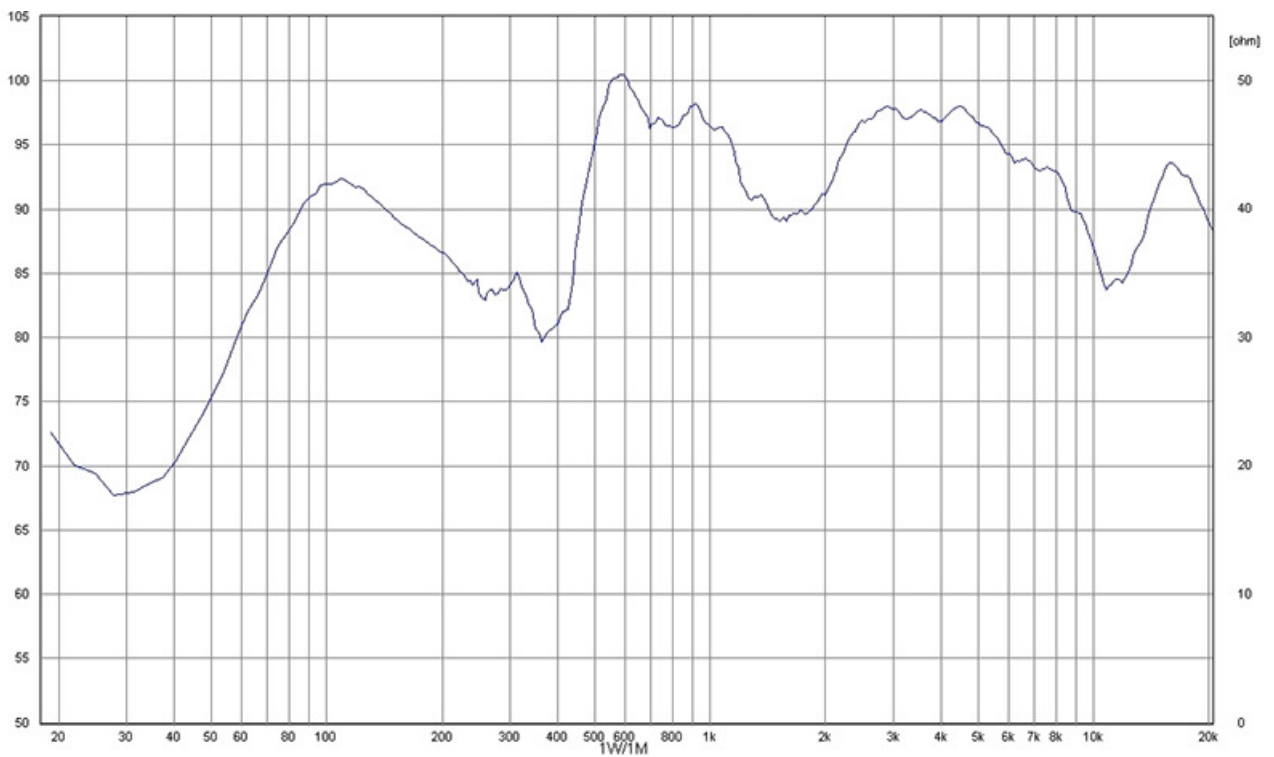
Power Tappings	6W / 3W / 1.5W
Frequency Range	104 – 17,200 Hz
Frequency Response	57 – 24,000 Hz
SPL 1W / 1m, peak	98.3 dB
SPL 1W / 4m, peak	86.3 dB
SPL Pmax / 4m, peak	94.0 dB
Sensitivity EN54-24, 1W / 4m	74.9 dB
Dispersion (-6dB, 500Hz)	180°
Dispersion (-6dB, 1KHz)	180°
Dispersion (-6dB, 2KHz)	180°
Dispersion (-6dB, 4KHz)	85°
Temperature Range	-10 / +55 °C
Dimensions	181.5 x 66 mm
Weight (net)	0.50 kg
Colour	RAL 9016 'Traffic White'
Mounting	Spring clamp
Connector	4-pin screw terminal
Ceiling Cut-out	156 mm
IP Rating	IP21
Maximum cable cross section	4.9 mm ²
Maximum cable cross section loop	2 x 1.2 mm ²
Packing Unit	12

POLAR DIAGRAM — STANDARD

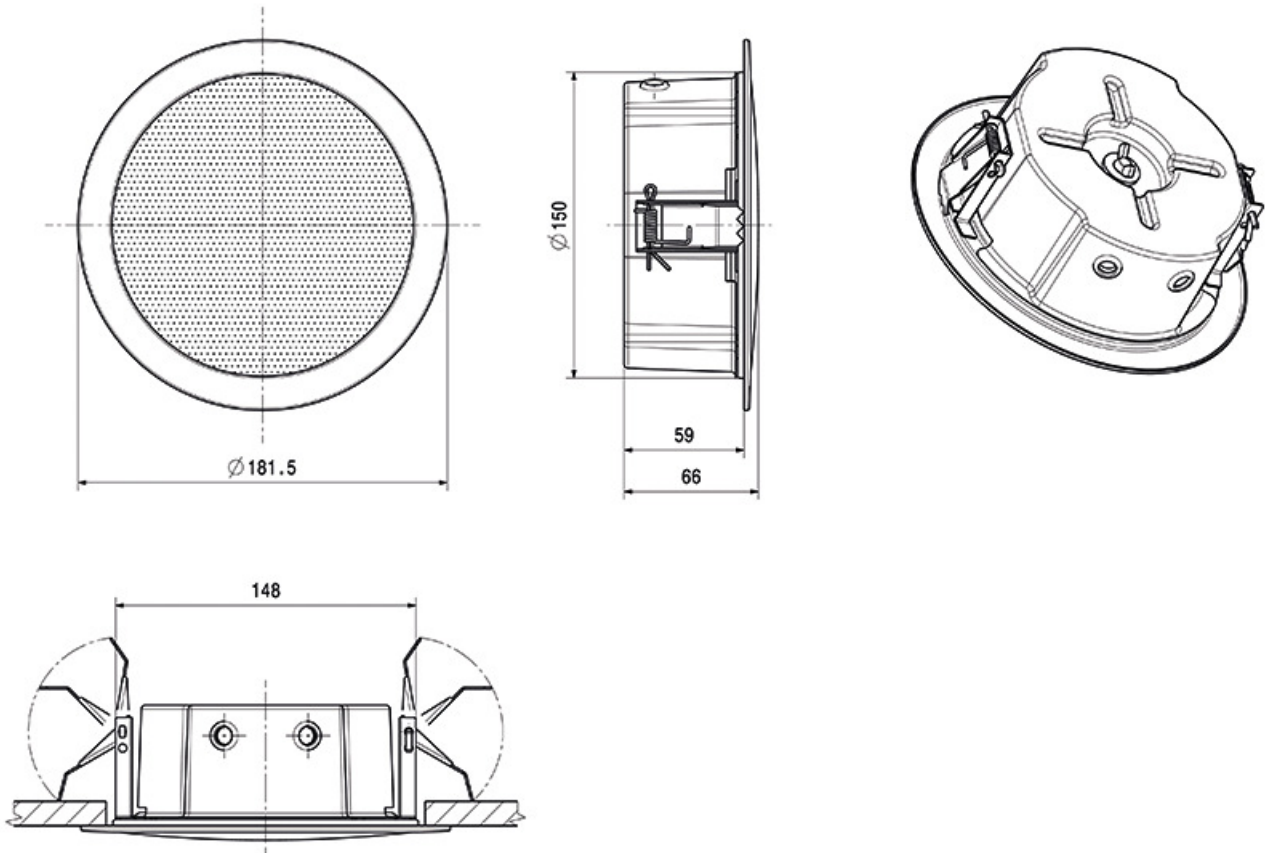


POLAR DIAGRAM — WITH SPAC-FD-E-50 FIRE DOME



FREQUENCY RESPONSE DIAGRAM — STANDARD

FREQUENCY RESPONSE DIAGRAM — WITH SPAC-FD-E-50 FIRE DOME


DIMENSIONAL DIAGRAM



Measurements according to DIN IEC 268-5

RoHS complaint (2011/65/EU)

Made for:

Application Solutions (Safety and Security) Limited
 Unit 17 - Cliffe Industrial Estate - Lewes - East Sussex - BN8 6JL - U.K.
 Tel: +44(0)1273 405411
www.asl-control.co.uk



Assessed to ISO 9001
LPCB Cert No: C1043

All rights reserved.

Information contained in this document is believed to be accurate, however no representation or warranty is given and Application Solutions (Safety and Security) Limited assumes no liability with