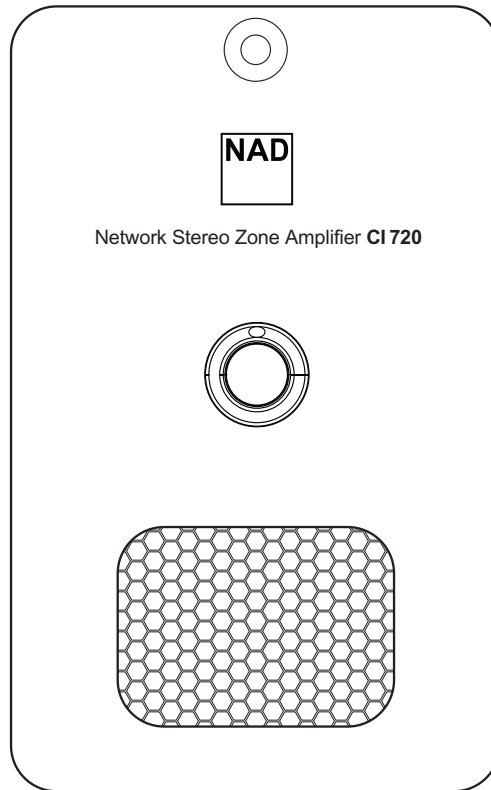




# CI 720

## Network Stereo Zone Amplifier

---




---

Owner's Manual

# IMPORTANT SAFETY INSTRUCTIONS

## SAVE THESE INSTRUCTIONS FOR LATER USE.

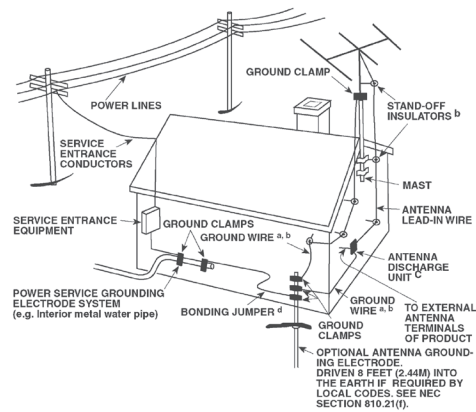
### FOLLOW ALL WARNINGS AND INSTRUCTIONS MARKED ON THE AUDIO EQUIPMENT.

- 1 Read instructions** - All the safety and operating instructions should be read before the product is operated.
- 2 Retain instructions** - The safety and operating instructions should be retained for future reference.
- 3 Heed Warnings** - All warnings on the product and in the operating instructions should be adhered to.
- 4 Follow Instructions** - All operating and use instructions should be followed.
- 5 Cleaning** - Unplug this product from the wall outlet before cleaning. Do not use liquid cleaners or aerosol cleaners. Use a damp cloth for cleaning.
- 6 Attachments** - Do not use attachments not recommended by the product manufacturer as they may cause hazards.
- 7 Water and Moisture** - Do not use this product near water—for example, near a bath tub, wash bowl, kitchen sink, or laundry tub; in a wet basement; or near a swimming pool; and the like.
- 8 Accessories** - Do not place this product on an unstable cart, stand, tripod, bracket, or table. The product may fall, causing serious injury to a child or adult, and serious damage to the product. Use only with a cart, stand, tripod, bracket, or table recommended by the manufacturer, or sold with the product. Any mounting of the product should follow the manufacturer's instructions, and should use a mounting accessory recommended by the manufacturer.
-  A product and cart combination should be moved with care. Quick stops, excessive force, and uneven surfaces may cause the product and cart combination to overturn.
- 10 Ventilation** - Slots and openings in the cabinet are provided for ventilation and to ensure reliable operation of the product and to protect it from overheating, and these openings must not be blocked or covered. The openings should never be blocked by placing the product on a bed, sofa, rug, or other similar surface. This product should not be placed in a built-in installation such as a bookcase or rack unless proper ventilation is provided or the manufacturer's instructions have been adhered to.
- 11 Power Sources** - This product should be operated only from the type of power source indicated on the marking label. If you are not sure of the type of power supply to your home, consult your product dealer or local power company.  
The primary method of isolating the amplifier from the mains supply is to disconnect the mains plug. Ensure that the mains plug remains accessible at all times. Unplug the AC power cord from the AC outlet if the unit will not be used for several months or more.
- 12 Grounding or Polarization** - This product may be equipped with a polarized alternating-current line plug (a plug having one blade wider than the other). This plug will fit into the power outlet only one way. This is a safety feature. If you are unable to insert the plug fully into the outlet, try reversing the plug. If the plug should still fail to fit, contact your electrician to replace your obsolete outlet. Do not defeat the safety purpose of the polarized plug.
- 13 Power - Cord Protection** - Power-supply cords should be routed so that they are not likely to be walked on or pinched by items placed upon or against them, paying particular attention to cords at plugs, convenience receptacles, and the point where they exit from the product.

- 14 Outdoor Antenna Grounding** - If an outside antenna or cable system is connected to the product, be sure the antenna or cable system is grounded so as to provide some protection against voltage surges and built-up static charges. Article 810 of the National Electrical Code, ANSI/NFPA 70, provides information with regard to proper grounding of the mast and supporting structure, grounding of the lead-in wire to an antenna discharge unit, size of grounding conductors, location of antenna discharge unit, connection to grounding electrodes, and requirements for the grounding electrode.

### NOTE TO CATV SYSTEM INSTALLER

This reminder is provided to call the CATV system installer's attention to Section 820-40 of the NEC which provides guidelines for proper grounding and, in particular, specifies that the cable ground shall be connected to the grounding system of the building, as close to the point of cable entry as practical.



- 15 Lightning** - For added protection for this product during a lightning storm, or when it is left unattended and unused for long periods of time, unplug it from the wall outlet and disconnect the antenna or cable system. This will prevent damage to the product due to lightning and power-line surges.
- 16 Power Lines** - An outside antenna system should not be located in the vicinity of overhead power lines or other electric light or power circuits, or where it can fall into such power lines or circuits. When installing an outside antenna system, extreme care should be taken to keep from touching such power lines or circuits as contact with them might be fatal.
- 17 Overloading** - Do not overload wall outlets, extension cords, or integral convenience receptacles as this can result in a risk of fire or electric shock.
- 18 Object and Liquid Entry** - Never push objects of any kind into this product through openings as they may touch dangerous voltage points or short-out parts that could result in a fire or electric shock. Never spill liquid of any kind on the product.

**WARNING: THE APPARATUS SHOULD NOT BE EXPOSED TO DRIPPING OR SPLASHING, AND OBJECTS FILLED WITH LIQUIDS, SUCH AS VASES, SHOULD NOT BE PLACED ON THE APPARATUS. AS WITH ANY ELECTRONIC PRODUCTS, USE CARE NOT TO SPILL LIQUIDS INTO ANY PART OF THE SYSTEM. LIQUIDS CAN CAUSE A FAILURE AND/OR A FIRE HAZARD.**

**19 Damage Requiring Service** - Unplug this product from the wall outlet and refer servicing to qualified service personnel under the following conditions:

- a) When the power-supply cord or plug is damaged.
- b) If liquid has been spilled, or objects have fallen into the product.
- c) If the product has been exposed to rain or water.
- d) If the product does not operate normally by following the operating instructions. Adjust only those controls that are covered by the operating instructions as an improper adjustment of other controls may result in damage and will often require extensive work by a qualified technician to restore the product to its normal operation.
- e) If the product has been dropped or damaged in any way.
- f) when the product exhibits a distinct change in performance-this indicates a need for service.

**20 Replacement Parts** - When replacement parts are required, be sure the service technician has used replacement parts specified by the manufacturer or have the same characteristics as the original part. Unauthorized substitutions may result in fire, electric shock, or other hazards.

**21 Safety Check** - Upon completion of any service or repairs to this product, ask the service technician to perform safety checks to determine that the product is in proper operating condition.

**22 Wall or Ceiling Mounting** - The product should be mounted to a wall or ceiling only as recommended by the manufacturer.

**23 Heat** - The product should be situated away from heat sources such as radiators, heat registers, stoves or other products (including amplifiers) that produce heat.

#### WARNING

TO REDUCE THE RISK OF FIRE OR ELECTRIC SHOCK, DO NOT EXPOSE THIS PRODUCT TO RAIN OR MOISTURE.

#### CAUTION

TO PREVENT ELECTRIC SHOCK, MATCH WIDE BLADE OF PLUG TO WIDE SLOT, FULLY INSERT.



THE LIGHTNING FLASH WITH ARROWHEAD SYMBOL, WITHIN AN EQUILATERAL TRIANGLE, IS INTENDED TO ALERT THE USER TO THE PRESENCE OF UNINSULATED "DANGEROUS VOLTAGE" WITHIN THE PRODUCT'S ENCLOSURE THAT MAYBE OF SUFFICIENT MAGNITUDE TO CONSTITUTE A RISK OF ELECTRIC SHOCK TO PERSONS.



THE EXCLAMATION POINT WITHIN AN EQUILATERAL TRIANGLE IS INTENDED TO ALERT THE USER TO THE PRESENCE OF IMPORTANT OPERATING AND MAINTENANCE (SERVICING) INSTRUCTIONS IN THE LITERATURE ACCOMPANYING THE APPLIANCE.



The socket-outlet shall be installed near the apparatus and shall be easily accessible.

#### CAUTION

Changes or modifications to this equipment not expressly approved by NAD Electronics for compliance could void the user's authority to operate this equipment.

#### CAUTION REGARDING PLACEMENT

To maintain proper ventilation, be sure to leave a space around the unit (from the largest outer dimensions including projections) that is equal to or greater than shown below.

Left and Right Panels: 10 cm

Rear Panel: 10 cm

Top Panel: 10 cm

# IMPORTANT SAFETY INSTRUCTIONS

## NOTES ON ENVIRONMENTAL PROTECTION



At the end of its useful life, this product must not be disposed of with regular household waste but must be returned to a collection point for the recycling of electrical and electronic equipment. The symbol on the product, user's manual and packaging, point this out.

The materials can be reused in accordance with their markings. Through re-use, recycling of raw materials or other forms of recycling of old products, you are making an important contribution to the protection of our environment. Your local administrative office can advise you of the responsible waste disposal point.

## INFORMATION ABOUT COLLECTION AND DISPOSAL OF WASTE BATTERIES (DIRECTIVE 2006/66/EC OF THE EUROPEAN PARLIAMENT AND THE COUNCIL OF EUROPEAN UNION) (FOR EUROPEAN CUSTOMERS ONLY)



**Pb**

Batteries bearing any of these symbols indicate that they should be treated as "separate collection" and not as municipal waste. It is encouraged that necessary measures are implemented to maximize the separate collection of waste batteries and to minimize the disposal of batteries as mixed municipal waste.



**Hg**

**Cd**

End-users are exhorted not to dispose waste batteries as unsorted municipal waste. In order to achieve

a high level of recycling waste batteries, discard waste batteries separately and properly through an accessible collection point in your vicinity. For more information about collection and recycling of waste batteries, please contact your local municipality, your waste disposal service or the point of sale where you purchased the items.

By ensuring compliance and conformance to proper disposal of waste batteries, potential hazardous effects on human health is prevented and the negative impact of batteries and waste batteries on the environment is minimized, thus contributing to the protection, preservation and quality improvement of the environment.

## RECORD YOUR MODEL NUMBER (NOW, WHILE YOU CAN SEE IT)

The model and serial number of your new CI 720 are located on the back of the cabinet. For your future convenience, we suggest that you record these numbers here:

Model no.: .....

Serial no.: .....

### THANK YOU FOR CHOOSING NAD.

The CI 720 features Bluesound's proprietary BluOS operating system, and allows you to access, control and stream music playlists to multiple BluOS-enabled zones in the home using simple touch-screen commands.

The CI 720's integrated HybridDigital™ amp can drive any speaker to lifelike sound levels without adding noise or distortion. By focusing on how to improve musical performance while consuming less power, NAD has taken CI amplification to new lows, with lower distortion, lower noise and lower power consumption.

As with all our products, NAD's "Music First" design philosophy guided the CI 720's design. We have also been careful to ensure that the CI 720 is as musically transparent, faithful to every detail and spatially accurate as possible, incorporating much of what we've learned from more than a quarter-century's experience designing audio, video and home-theater components.

We encourage you to take a few minutes now to read right through this manual. Investing a little time here at the outset might save you a good deal of time later, and is by far the best way to ensure that you make the most of your investment in the CI 720.

For warranty information contact your local distributor.

**NAD SHALL NOT BE HELD LIABLE FOR ANY TECHNICAL OR USER INTERFACE DISCREPANCIES IN THIS MANUAL. THE CI 720 OWNER'S MANUAL MAY BE SUBJECT TO CHANGE WITHOUT PRIOR NOTICE. CHECK OUT THE NAD WEBSITE FOR THE LATEST VERSION OF THE CI 720 OWNER'S MANUAL.**

### WHAT'S IN THE BOX

Packed with your CI 720 you will find

- Two detachable mains power cord
- Ethernet cable
- Speaker terminal block
- Screw (for use in installing CI 720 to optional RM720 Rack Mount)
- Quick Setup Guide

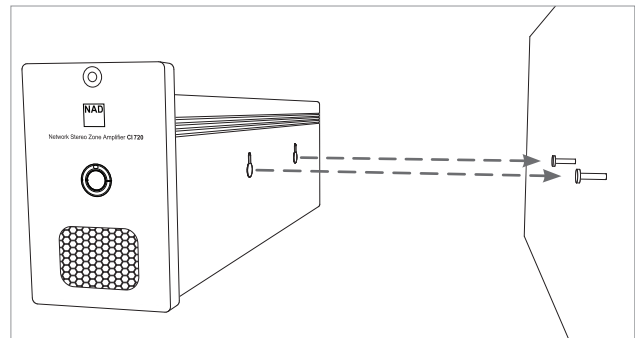
### SAVE THE PACKAGING

Please save the box and the packaging that came with the CI 720. Should you move or need to transport your CI 720, this is the safest container to use. We've seen too many otherwise perfect components damaged in transit for lack of a proper shipping carton. So please, save that box!

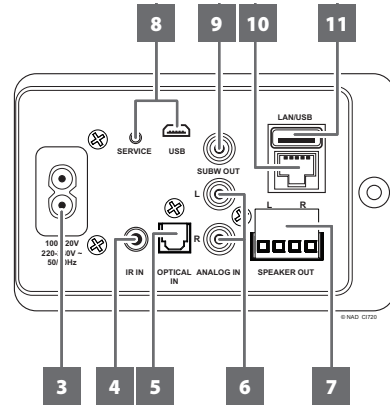
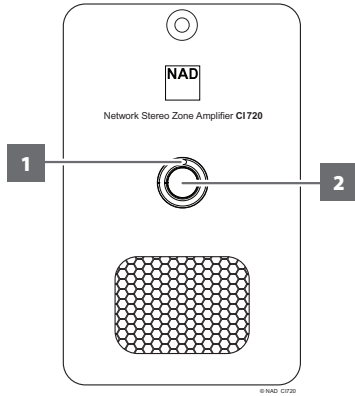
### INSTALLATION

The CI 720 can be used as a stand-alone unit or can be mounted in the optional RM720 Rack Mount accessory where up to 6 units of CI 720 can be accommodated without a single modification in a 3U rack space.

The CI 720 can also be installed to a fixture or wall using the two hanging holes on the side of the CI 720. Below is a description on how to hang or install the CI 720 to the wall.



# IDENTIFICATION OF CONTROLS



## 1 STATUS INDICATOR

This is an indicator of network connectivity. Below is a table of the LED blink codes and their corresponding descriptions.

LED BLINK CODE	DESCRIPTION
Short blue flash, then red	Powering up, rebooting
Solid red	Booting up
Solid red	Cannot boot up; drive error
Solid white	Indexing
Solid blue	Connected to network – ready to use with BluOS App
Red pulse	No internet gateway
Alternate flashing red and green	Upgrade mode
Flashing red	Factory reset in progress

## 2 STANDBY BUTTON

- Press and hold this button to bring the CI 720 to standby mode.

## 3 AC MAINS INPUT

- The CI 720 comes supplied with two separate AC mains power cords. Select the AC mains power cord appropriate for your region. An adaptor may be necessary in certain regions.
- Always disconnect the plug from the wall outlet first, before disconnecting the other end from CI 720's AC mains input socket.

## 4 IR IN

- This input is connected to the output of an IR (infrared) repeater (Xantech or similar) or the IR output of another component to allow control of the CI 720 from a remote location.
- To program IR Remote commands into your CI 720 via IR IN, select from the App the **Settings Menu - Player-IR Remote**. Simply select the function desired from the **IR Remote Menu**, point an IR remote control at the IR repeater and press the button to perform that function. Once programmed, a check-mark will appear in the Configure IR Trigger function list.

## 5 OPTICAL IN

- Connect to the corresponding optical digital output of sources such as CD or BD/DVD players, digital cable box, digital tuners and other applicable components. The source will appear as an Optical Input in the navigation drawer of the BluOS App.

## 6 ANALOG IN

- Input for line level sources such as CD player, tuner or any compatible devices. Use a twin RCA-to-RCA lead to connect the source device's left and right "Audio Output" to this input. The source will appear as an Analog Input in the navigation drawer of the BluOS App.

## 7 SPEAKER OUT

- Connect the speaker cables to the supplied speaker terminal block with reference to CI 720's speaker terminal markings on the rear panel.
- Connect CI 720's Right speaker terminals marked "R +" and "R -" to the corresponding "+" and "-" terminals of your designated right speaker. Repeat the same for CI 720's Left speaker terminals and corresponding left speaker.

## 8 SERVICE/USB

- Use the SERVICE port in conjunction with USB (Type B mini) to manually load firmware to the CI 720. This is not for consumer use. Only authorized service personnel can access this USB port and SERVICE button.

## 9 SUBW OUT

- Connect SUBW OUT to a powered subwoofer. Low frequency information up to 150 Hz is sent to SUBW OUT.

## 10 LAN

- A wired Ethernet connection is required to setup the CI 720. Using the supplied Ethernet cable, connect one end of the Ethernet cable to CI 720's LAN port and the other end to the corresponding LAN port of your wired Ethernet broadband router.

## 11 USB (Type A)

- Connect a USB mass storage device to the USB input. Typical USB mass storage device compatible with CI 720 include portable flash memory devices and external hard drives (FAT32 recommended).
- A notification will be shown in the App if a USB device is inserted. Click on USB in the navigation drawer to browse content.

**MAKING THE MOST OUT OF YOUR CI 720**

Download the BluOS Controller App from the respective App stores of Apple iOS devices (iPad, iPhone and iPod), Android devices, Kindle Fire and Windows or Mac desktops.

Launch the BluOS Controller App and explore everything from your streaming music services, internet radio stations, networked music collections and favorites with quick and easy single-search discovery.

Visit [support.bluesound.com](http://support.bluesound.com) for more information about the BluOS Controller App, how it interfaces with your CI 720 and other operational guidelines.

**CI 720 SPECIFICATIONS****AUDIO**

Rated power	60W
Rated distortion	≤0.005%
Signal-to-noise ratio	-110 dBA
Sample rate	32 - 192 kHz
Bit depth	16-24 bit
Supported file formats	MP3, AAC, WMA, OGG, WMA-L, FLAC, ALAC, WAV, AIFF
Supported Cloud Services	WiMP, Rdio, Slacker Radio, Qobuz, HighResAudio, JUKE, Deezer, Murfie, HDTracks, Spotify, TIDAL, Napster, Rhapsody
Free Internet Radio	TuneIn Radio, iHeartRadio

**CONNECTIVITY**

INPUT	Analog: RCA stereo
	SPDIF: Optical (TOSLINK)
	USB: Type A (for USB memory stick and supported peripherals - FAT32 formatted) Type B mini (for servicing purposes only)
	IR IN: 3.5 mm jack
OUTPUT	Subwoofer OUT
	Speaker OUT: Phoenix Speaker connection block
NETWORK	Ethernet/LAN: Ethernet RJ45, GigE
USER INTERFACE	Free BluOS Controller App available for download from the respective App stores of Apple iOS devices (iPad, iPhone and iPod), Android devices, Kindle Fire and Windows or Mac OS X desktops.
	Front panel button
SUPPORTED OPERATING SYSTEMS	Music playback from network shares on the following desktop operating systems: Windows Vista SP2, Windows 7 SP1 and Windows 8.1. Mac OS X 10.7, 10.8 and 10.9

**GENERAL**

AC power supply	100 - 240V 50/60 Hz
Standby power	6W (Network standby mode)
Unit dimensions (L x W x D)	70 x 120 x 350 mm
	2 <sup>13</sup> / <sub>16</sub> X 4 <sup>3</sup> / <sub>4</sub> X 13 <sup>13</sup> / <sub>16</sub> inches
Shipping weight	2.3 kg (5.1 lbs)

The CI720 specifications may be subject to change without prior notice. Check out [www.nadelectronics.com](http://www.nadelectronics.com) for the latest specifications and features of the CI720.



[www.NADelectronics.com](http://www.NADelectronics.com)

**©2021 NAD ELECTRONICS INTERNATIONAL  
A DIVISION OF LENBROOK INDUSTRIES LIMITED**

All rights reserved. NAD and the NAD logo are trademarks of NAD Electronics International, a division of Lenbrook Industries Limited.  
No part of this publication may be reproduced, stored or transmitted in any form without the written permission of NAD Electronics International.  
While every effort has been made to ensure the contents are accurate at the time of publication, features and specifications may be subject to change without prior notice.

CI720-OM-EN-V04 - JUN 2021